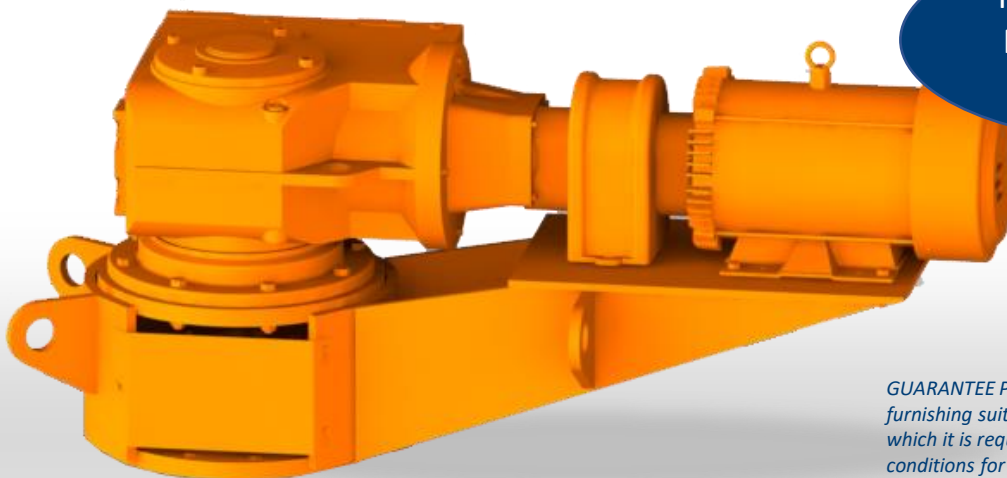


# L SERIES TANK AGITATOR

Sizes: ½ to 75 HP  
Speeds: 10 to 250 RPM  
Torques: up to 160,000 in-lbs  
Shaft Sizes: up to 5 inches

- **Rugged cast iron housing** resists shock loads, maintains accurate gear alignment
- **High efficiency helical, spiral bevel gearing** per AGMA/ASME standards. Gearing is finished ground, heat treated and hardened to 58-62 Rockwell C.

- **Low profile, right angle design**
- **Hollow bore and solid output shaft designs** supported by heavy duty bearings provides rigid, accurate support for the overhung mixer shaft.
- **Heavy-duty output shaft bearings** carry radial and axial loads generated by mixing impeller. L-10 bearing lives in excess of 100,000 hours.
- **Interlocking 2-piece seal design** around output shaft provides added safety against oil leakage



NEMA or IEC Motor  
Flexibly Coupled to  
Gearbox

*GUARANTEE ProQuip, Inc. accepts full responsibility for furnishing suitable equipment which shall be fit for the purpose which it is required, and for its successful operation under the conditions for which it was specified.*